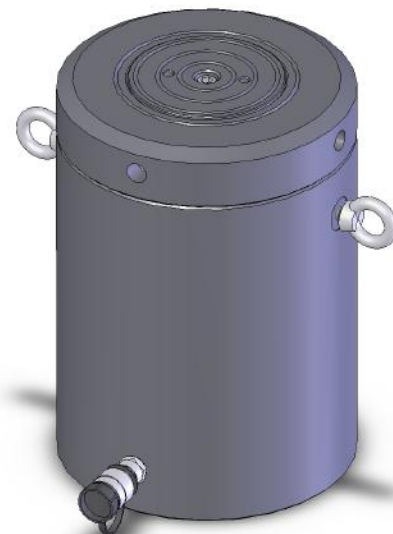
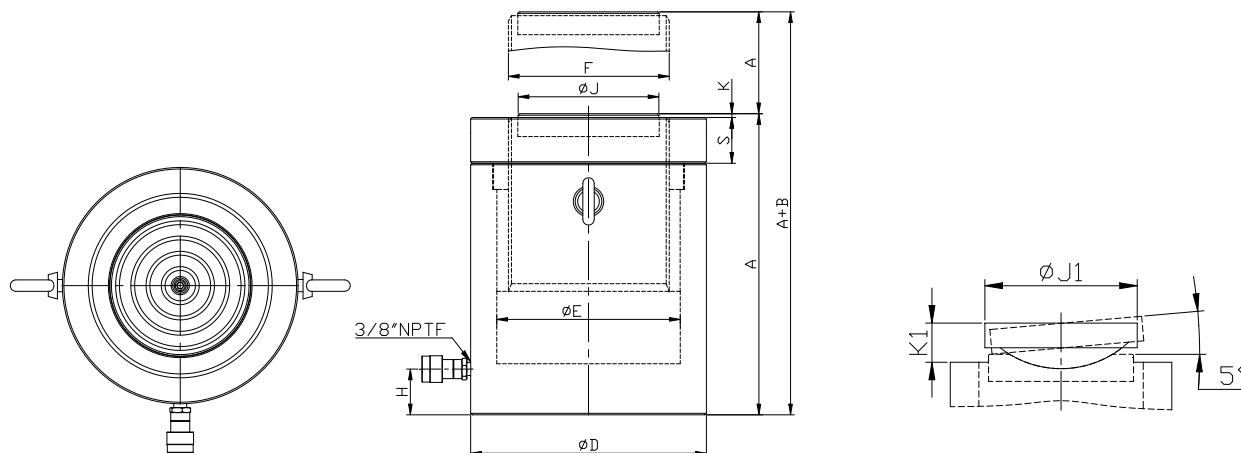


- 单作用设计, 重力回程  
Double acting, hydraulic return
- 耐用型设计, 特别适用于建筑、桥梁等高频使用工况  
Design for heavy duty situation
- 机械螺母锁紧, 提供长时间支撑安全保障  
Safety locknut for mechanical load holding
- 缸体上部止动环, 防止超行程使用  
Integral stop ring provides piston blow-out protection
- 特氟龙涂层, 防腐蚀并降低摩擦力  
Special Teflon coating for improved corrosion resistance and lower friction
- 油缸设计可承受相当于额定载荷5%的侧向荷载  
Special design withstands side load forces up to 5% of rated cylinder capacity
- 有杆腔设置安全阀有效保护缸体安全  
Built-in safety valve prevents accidental over-pressurization
- 标配硬质平鞍座, 可选配5度可倾鞍座以适应倾斜顶面  
With flat saddle or tilting saddle
- 配合C70F04快换母接头和DC04防尘帽  
C70F04 couplers included on cylinder



## 1. 技术参数 Technical parameters

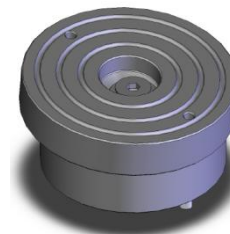
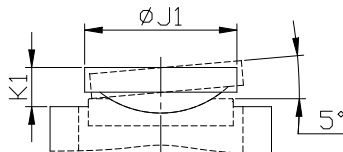
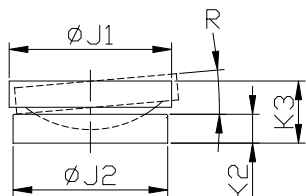


承载能力 Capacity	油缸型号 Model Number	有效行程 Stroke	油缸 有效面积 Effective Area	液压油 容积 Oil Capacity	最大 承载力 Max. Capacity	本体高度 Collap. Height	伸展高度 Ext. Height	油缸外径 Outside Diameter	油缸内径 Bore Diameter	柱塞尺寸 Plunger Diameter	进油口 高度 Base to Adv. Port	标准鞍座 直径 Saddle Diameter	杆端凹 孔深度 Depth of Plunger Hole	鞍座面 凸出高度 Saddle Protrusion from Plngr	锁母厚度 Locknut Height	重量 Weight	可倾斜鞍座 Tilting Saddle	
		A				B	A+B	D	E	F	H	J	L	K	S		型号 Model Number	高度 Height K1
		mm				mm	mm	mm	mm	mm	mm	mm	mm	mm	mm		mm	mm
50	HRSL502	50	71.2	356	498.5	184	234	130	95.3	Tr80X4	30	50	16	2	36	16.6	RAT50	25.8
50	HRSL506	150	71.2	1068	498.5	284	434	130	95.3	Tr80X4	30	50	16	2	36	24.4	RAT50	25.8
50	HRSL5012	300	71.2	2136	498.5	434	734	130	95.3	Tr80X4	30	50	16	2	36	36.1	RAT50	25.8
100	HRSL1002	50	133	665	931.2	212	262	165	130.2	Tr110X4	30	75	18	2	44	33.2	RAT100	29.2
100	HRSL1006	150	133	1995	931.2	312	462	165	130.2	Tr110X4	30	75	18	2	44	46.7	RAT100	29.2
100	HRSL10012	300	133	3990	931.2	462	762	165	130.2	Tr110X4	30	75	18	2	44	67.1	RAT100	29.2
150	HRSL1502	50	197.8	989	1384.8	240	290	205	158.8	Tr135X6	40	94	18	2	44	58.1	RAT150	31.8
150	HRSL1506	150	197.8	2967	1384.8	340	490	205	158.8	Tr135X6	40	94	18	2	44	79.3	RAT150	31.8
150	HRSL15012	300	197.8	5934	1384.8	490	790	205	158.8	Tr135X6	40	94	18	2	44	111.1	RAT150	31.8
200	HRSL2002	50	266.2	1331	1863.4	281	331	235	184.2	Tr150X6	50	113	23	2	50	89.3	RAT200	36
200	HRSL2006	150	266.2	3993	1863.4	381	531	235	184.2	Tr150X6	50	113	23	2	50	115.9	RAT200	36
200	HRSL20012	300	266.2	7986	1863.4	531	831	235	184.2	Tr150X6	50	113	23	2	50	155.8	RAT200	36
250	HRSL2502	50	365.9	1829.5	2561.4	292	342	275	215.9	Tr170X6	50	145	23	2	56	127.1	RAT250	44.5
250	HRSL2506	150	365.9	5488.5	2561.4	392	542	275	215.9	Tr170X6	50	145	23	2	56	161.9	RAT250	44.5
250	HRSL25012	300	365.9	10977	2561.4	542	842	275	215.9	Tr170X6	50	145	23	2	56	213.1	RAT250	44.5
300	HRSL3002	50	457.1	2285.5	3199.5	333	383	310	241.3	Tr200X6	60	150	22	3	60	168.7	RAT300	58.3
300	HRSL3006	150	457.1	6856.5	3199.5	433	583	310	241.3	Tr200X6	60	150	22	3	60	232.8	RAT300	58.3
300	HRSL30012	300	457.1	13713	3199.5	583	883	310	241.3	Tr200X6	60	150	22	3	60	315.2	RAT300	58.3
400	HRSL4002	50	558.4	2792	3908.5	385	435	350	266.7	Tr225X6	70	170	24	5	70	276.5	RAT400	57.7
400	HRSL4006	150	558.4	8376	3908.5	485	635	350	266.7	Tr225X6	70	170	24	5	70	338.6	RAT400	57.7
400	HRSL40012	300	558.4	16752	3908.5	635	935	350	266.7	Tr225X6	70	170	24	5	70	431.6	RAT400	57.7

承载能力 Capacity	油缸型号 Model Number	有效行程 Stroke	油缸 有效面积 Effective Area	液压油 容积 Oil Capacity	最大 承载力 Max. Capacity	本体高度 Collap. Height	伸展高度 Ext. Height	油缸外径 Outside Diameter	油缸内径 Bore Diameter	柱塞尺寸 Plunger Diameter	进油口 高度 Base to Adv. Port	标准鞍座 直径 Saddle Diameter	杆端凹 孔深度 Depth of Plunger Hole	鞍座面 凸出高度 Saddle Protrusion from Plngr	锁母厚度 Locknut Height	重量 Weight	可倾斜鞍座 Tilting Saddle	
		A				B	A+B	D	E	F	H	J	L	K	S		型号 Model Number	高度 Height K1
		mm				mm	mm	mm	mm	mm	mm	mm	mm	mm	mm		mm	mm
500	HRSL5002	50	729.3	3646.5	5105.0	430	480	400	304.8	Tr250X6	80	218	25	5	80	407	RAT500	65.5
500	HRSL5006	150	729.3	10939.5	5105.0	530	680	400	304.8	Tr250X6	80	218	25	5	80	485	RAT500	65.5
500	HRSL50012	300	729.3	21879	5105.0	680	980	400	304.8	Tr250X6	80	218	25	5	80	602	RAT500	65.5
600	HRSL6002	50	855.9	4279.5	5991.3	460	510	430	330.2	Tr280X6	85	228	25	5	85	502	RAT600	80
600	HRSL6006	150	855.9	12838.5	5991.3	560	710	430	330.2	Tr280X6	85	228	25	5	85	596	RAT600	80
600	HRSL60012	300	855.9	25677	5991.3	710	1010	430	330.2	Tr280X6	85	228	25	5	85	737	RAT600	80
800	HRSL8002	50	1177.8	5889	8244.7	530	580	505	387.4	Tr330X6	100	296	27	5	100	798	RAT800	77
800	HRSL8006	150	1177.8	17667	8244.7	630	780	505	387.4	Tr330X6	100	296	27	5	100	926	RAT800	77
800	HRSL80012	300	1177.8	35334	8244.7	780	1080	505	387.4	Tr330X6	100	296	27	5	100	1118	RAT800	77
1000	HRSL10002	50	1463.6	7318	10245.5	580	630	560	431.8	Tr370X6	110	298	40	5	110	1080	RAT1000	98
1000	HRSL10006	150	1463.6	21954	10245.5	680	830	560	431.8	Tr370X6	110	298	40	5	110	1242	RAT1000	98
1000	HRSL100012	300	1463.6	43908	10245.5	830	1130	560	431.8	Tr370X6	110	298	40	5	110	1482	RAT1000	98

2. 可选配件 Accessories

2.1 可倾斜鞍座 Tilting saddle



型号 Model Number	油缸型号 Model Number of Cylinder	上鞍座外径 Saddle Diam.	鞍座凸出高度 Saddle Protrusion from Plunger.	鞍座高度 Height of saddle	下鞍座直径 Saddle Diam.	下鞍座厚度 Saddle thickness	重量 Weight
		J1	K1	K2	J2	K3	
		mm	mm	mm	mm	mm	
RAT50	HRSL502,4,6,8,10,12	55	25.8	41.8	50	20	0.7
RAT100	HRSL1002,4,6,8,10,12	75	29.2	47.2	75	25	1.5
RAT150	HRSL1502,4,6,8,10,12	94	31.8	49.8	94	25	2.4
RAT200	HRSL2002,4,6,8,10,12	130	36	59	113	30	4.8
RAT250	HRSL2502,4,6,8,10,12	145	44.5	67.5	145	35	8
RAT300	HRSL3002,4,6,8,10,12	175	58.3	80.3	150	40	11.8
RAT400	HRSL4002,4,6,8,10,12	195	57.7	81.7	170	40	15.3
RAT500	HRSL5002,4,6,8,10,12	228	65.5	90.5	218	43	25.3
RAT600	HRSL6002,4,6,8,10,12	247	80	105	227	45	33
RAT800	HRSL8002,4,6,8,10,12	287	77	102	297	40	47.4
RAT1000	HRSL10002,4,6,8,10,12	323	98	123	299	60	66